



O.A. Newton announces -

## BV-2.0 - Enhanced Gal Vent Filter



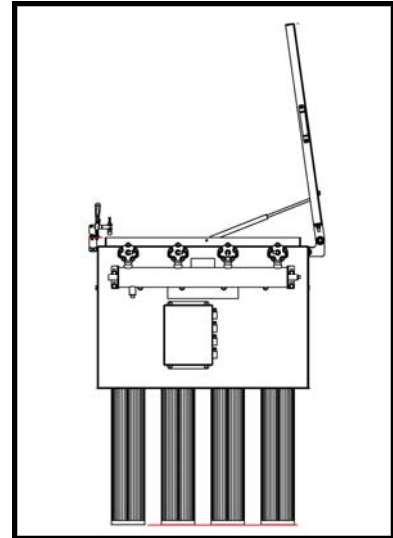
**Classic Profile BV-2**

The O.A. Newton Gal Vent filter and it's three year warranty have been an industry standard for years. Hold on!! Our Three Year warranty \*Galvanized Bin Vent Filter has been enhanced AND became LESS EXPENSIVE!

We've tweaked and enhanced the design, made it easier to lift the lid, provided a choice of our STANDARD or LOW PROFILE\* Designs and LOWERED THE PRICE. And we haven't removed any features either!

### Standard Features:

- Top Loading cartridges - the lid tilts back for easy removal and replacement of cartridges. NO CONFINED SPACE PERMIT REQUIRED!
- Quality Galvanized construction, painted Industrial Gloss White.
- Lift Assist for lid also holds it closed when lid is down.
- Jet Air Pulse Media Cleaning (attaches to your clean air supply)
- Cartridges are custom configured to meet your unique product
- Differential Pressure Gauge to monitor filter cleaning system performance.
- Three Year Warranty (TRIPLE the Industry Standard).



needs.

**Low Profile BV-2**

### Optional Features:

- Powder Coated Exterior Finish
- Powder Coated Interior Finish

\* Three year warranty period applies to rust out of enclosure. Filters are warranted against manufacturer defects only. All other components used in BV-2.0 are warranted for one full year. \* Low Profile Design requires clearance inside silo based on your high level settings. Please contact us to see if your installation supports the Low-Profile design.

**Now is the time to replace your rusted, leaky Bin Vent Filters with a longer lasting, more weatherproof design. The new price is extremely competitive. Contact us for details.**



**O.A. NEWTON**  
Engineered Material  
Handling Solutions

Voice: 302-337-3778 Email: [Solutions@oanewton.com](mailto:Solutions@oanewton.com)  
[www.oanewton.com](http://www.oanewton.com) Twitter: [MaterialHandlin](https://twitter.com/MaterialHandlin)